

2024 Crosstrek



Love is out there.® Find it in the all-new Crosstrek.



It's about everything that lies between points A and B.

Meet the all-new Subaru Crosstrek.

There are miles to go before you reach that campsite you booked months ago, but in your all-new 2024 Crosstrek, the adventure can always start right here on the road. You have up to 500 miles on a single tank¹ and all sorts of possible destinations along the way. Once you arrive and take in the view, you might even consider a point C.



Capable

Beyond the roads that are smooth and flat, the Crosstrek proves itself with standard Subaru Symmetrical All-Wheel Drive and 8.7 inches of ground clearance. If the terrain gets steep and slippery, available dual-function X-MODE[®] provides the traction and confidence you need to push on.²



Durable

Every Subaru is built to last. In fact, 97% of Subaru Crosstrek vehicles sold in the last 10 years are still on the road today, more than any other vehicle in its class.³ That's thanks in part to the SUBARU BOXER[®] engine. Its horizontal design means less wear and tear—and it's at the core of every Crosstrek. There's also an engine option with more power to push your adventures farther.



Connected

Providing you with simple, seamless access to your music and apps, SUBARU STARLINK[®] includes standard Apple CarPlay[®] and Android Auto[™] integration. Wireless connectivity and charging are now available for even greater ease,² plus you can opt for a larger 11.6-inch touchscreen² and Remote Engine Start with Climate Control, which lets you set the perfect temperature even before you step in.^{2,4}



Safe

To help protect you and your passengers, the Crosstrek is equipped with our latest EyeSight[®] Driver Assist Technology, now with an additional wide-angle camera for enhanced detection and intervention performance.⁵ For even greater peace of mind, you can opt for a number of all-around safety systems, including Blind-Spot Detection,^{2,6} Reverse Automatic Braking^{2,7} and SUBARU STARLINK Safety and Security.^{2,8}



¹ EPA-estimated fuel economy for 2024 Crosstrek Sport and Limited trims with Lineartronic[®] CVT at 33 highway MPG and a 16.6-gallon fuel tank. Actual driving range may vary. See your retailer for details. ² Availability varies by trim level. See your retailer for details. ³ Based on Experian Automotive vehicles in operation vs. total new registrations for MY2012–2021 as of December 2021. ⁴ Requires Keyless Access with Push-Button Start and subscription to STARLINK[®] Safety and Security Plus services. 6-month free trial included. Not available in all states. See your retailer for details. ⁵ EyeSight is a driver assist technology, which may not operate optimally under all driving conditions. The driver is always responsible for safe and attentive driving. System effectiveness depends on many factors such as vehicle maintenance, weather and road conditions. Advanced Adaptive Cruise Control and Brake Light Recognition are designed to assist the driver and are not substitutes for safe and attentive driving. Lane Keep Assist operates only when the lane markings are visible, and system effectiveness depends on many factors. Lane centering function operates only when used in conjunction with Advanced Adaptive Cruise Control. See Owner's Manual for complete details on system operations and limitations. ⁶ Blind-Spot Detection, Lane Change Assist and Rear Cross-Traffic Alert are systems designed to assist the driver by monitoring the rear and side areas of the vehicle during a lane change or reversing and are not a substitute for safe and attentive driving. ⁷ The Reverse Automatic Braking System is not a substitute for safe and attentive driving. System effectiveness depends on many factors, such as vehicle maintenance, weather and road conditions. Always exercise caution and use vehicle mirrors and the Rear-Vision Camera when backing up. See Owner's Manual for complete details on system operation and limitations. ⁸ Activation with subscription required. Includes a 3-year trial subscription to Safety Plus services and a 6-month trial subscription to Safety and Security Plus services. The Concierge plan can be purchased annually or monthly. A credit card on file will be required for specific packages and for renewal purposes. Not available in all states. See your retailer for details.

Crosstrek Sport in Magnetite Gray Metallic with optional equipment.



© 2024 Crosstrek

Miles of good road ahead.

When conditions get slippery, steep or bumpy, there's no need to reroute. You're in the all-new Crosstrek, which means you have standard Subaru Symmetrical All-Wheel Drive and 8.7 inches of ground clearance—more than the Jeep Compass.¹ Facing hilly or challenging terrain? X-MODE with Hill Descent Control delivers enhanced traction and reassurance. And with up to 34 MPG²—better all-wheel-drive highway fuel economy than the Honda HR-V or Toyota Corolla Cross³—you can forge ahead with confidence.

¹ Comparison based on information from manufacturer website for 2023 Jeep Compass and is accurate at time of printing. ² EPA-estimated fuel economy for 2024 Crosstrek and Crosstrek Premium trims at 34 highway MPG and Crosstrek Sport and Limited trims at 33 highway MPG. Actual mileage may vary. See your Subaru retailer for details. ³ Comparison based on competitor information from manufacturer websites for 2023 non-hybrid, all-wheel drive vehicles within the IHS Markit sub-compact CUV segment and current at time of printing.

Crosstrek Limited in Sapphire Blue Pearl with optional and accessory equipment.



Keep your friends close and your destinations far out.

The 2024 Crosstrek Sport

The Crosstrek Sport certainly stands out with its dark gray 18-inch wheels, Crystal Black Silica spoiler, yellow exterior accents and unique interior. But it's built to do more than turn heads. Its SUBARU BOXER engine delivers much more horsepower than the Honda HR-V—182 to be exact.¹ And its dual-function X-MODE system includes terrain-specific settings designed to take on snow and dirt or deep snow and mud. So grab a friend or two and head for the horizon.

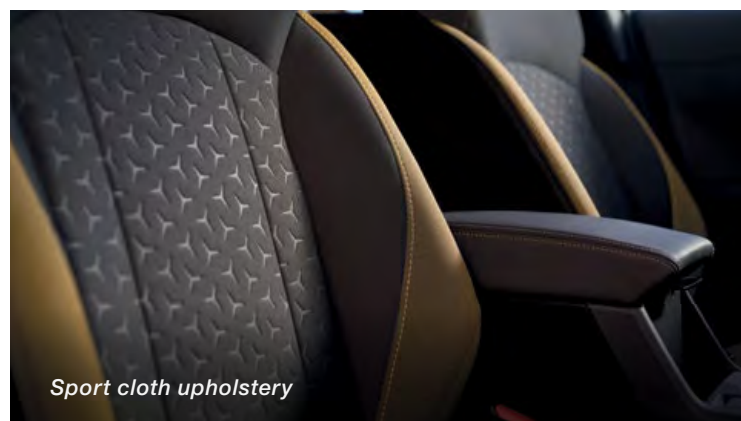
¹ Comparison based on information from manufacturer website for 2023 Honda HR-V and is accurate at time of printing.

Crosstrek Sport in Alpine Green with optional and accessory equipment.

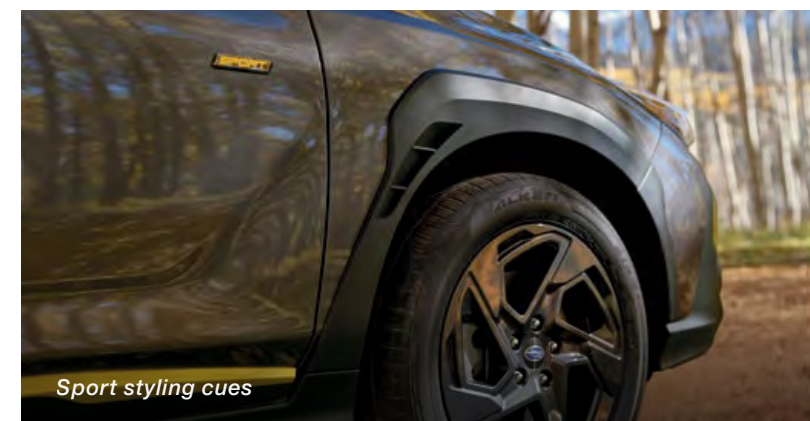
5 | 2024 Crosstrek

Your outdoor home base

Inside the Crosstrek Sport, conveniences come in all sizes. It includes heated front seats and exterior mirrors for comfort and ease during colder months. And smaller details like a leather-wrapped steering wheel and shift lever make “on the road” feel a little more “right at home.”



Sport cloth upholstery



Sport styling cues



Dual-function X-MODE



Bring it. **All of it.**

Gear-friendly and versatile

There's the gear you need, and there's the gear you might need. With up to 54.7 cubic feet of cargo room in the Crosstrek, you don't have to make that distinction. Its wide rear gate opening, larger nonslip sill steps embossed with new mountain-themed grip surfaces and convenient cargo-area tray¹ help simplify the loading process. And thanks to standard roof cargo-carrying capability and a 60/40 split-folding rear seatback, you can even bring gear that you probably won't need.

Compact or roomy? **Yes.**

Spacious and comfortable

Though it can squeeze into tight parking spots, the Crosstrek is noticeably roomy—with up to 100.5 cubic feet of passenger space.¹ Enter easily through its wide door openings, and sink into its supportive seats—redesigned with durable cloth or leather to keep you comfortable and refreshed. As you dial in the dual-zone climate control and adjust the available 10-way power-adjustable driver seat to your liking,² you may realize you're actually looking forward to the long drive ahead.

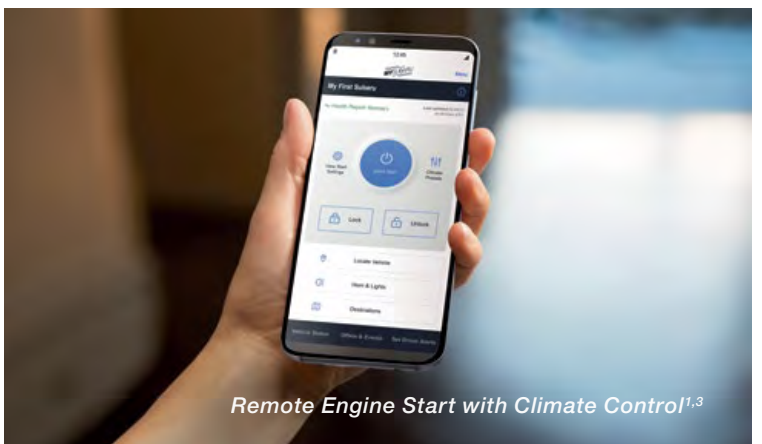
¹ Without available power moonroof. 99.0 cubic feet with moonroof. See your retailer for details. ² Availability varies by trim level. See your retailer for details.



Make a connection.



Wireless phone charging^{1,2}



Remote Engine Start with Climate Control^{1,3}

In the loop, even when you're off the grid. Wherever you're headed, you're even more connected in the all-new Crosstrek. SUBARU STARLINK Multimedia comes standard with Apple CarPlay® and Android Auto™ integration, plus you can now opt for available wireless connectivity¹ and Qi® wireless smartphone charging^{1,2} to keep your cockpit cable free. Other available features now include a large 11.6-inch touchscreen¹ and a new Harman Kardon® premium audio system with 10 speakers,¹ so you can listen to your playlists as they were intended. Thanks to the convenience of Remote Engine Start with Climate Control, you can use your phone to set the perfect temperature even before you step in.^{1,3}

1 Availability varies by trim level. See your retailer for details. 2 Qi® wireless charging may not be compatible with all mobile devices. When using the wireless charging system, avoid placing metal objects between the wireless charger and the mobile device when charging is active. Doing so may cause metal objects to become hot and could cause burns. 3 Requires Keyless Access with Push-Button Start and subscription to STARLINK Safety and Security Plus services. 6-month free trial included. Prototype screen shown for demonstration purposes only. Not available in all states. See your retailer for details.

Crosstrek Sport with Sport Cloth and optional equipment.

An extra set of eyes every time you drive.

Every Crosstrek includes the latest Subaru EyeSight Driver Assist Technology,¹ now with an additional wide-angle camera to better detect pedestrians and bicycles, plus an electronic brake booster for improved responsiveness and Automatic Emergency Steering.² Equipped with a comprehensive suite of innovative safety features, EyeSight looks ahead, alerts you to potential dangers and can even intervene to help you avoid a collision.

Crosstrek Limited in Sapphire Blue Pearl with optional equipment.



Pre-Collision Braking

Can help slow and bring your Crosstrek to a full stop if necessary.



Advanced Adaptive Cruise Control with Lane Centering

Automatically helps keep you centered in your lane, at a safe distance behind the car in front of you—even in traffic and around curves.



Pre-Collision Throttle Management

Can reduce engine power to help give you more time to react and to help minimize possible impact force in case of a collision.



Lane Departure and Sway Warning with Lane Departure Prevention

If you accidentally begin to drift to the edge of your lane, EyeSight can alert you with visible and audible warnings before you cross over the lane markers. And when activated, Lane Departure Prevention can even help steer you back into your lane.

¹ EyeSight is a driver assist technology, which may not operate optimally under all driving conditions. The driver is always responsible for safe and attentive driving. System effectiveness depends on many factors such as vehicle maintenance, weather and road conditions. See your Owner's Manual for complete details on system operations and limitations. ² Automatic Emergency Steering requires Blind-Spot Detection. Availability varies by trim level. See your retailer for details.

Your peace of mind is our strong suit.

Safety is more than a duty for us—it's a passion. That's why every Crosstrek is built on the strength of the Subaru Global Platform, providing a rigid body structure for high crash-energy absorption. And every Crosstrek comes with 8 airbags, including a new front-passenger seat cushion airbag.¹ To enhance all-around awareness and visibility, other standard features include a Rear-Vision Camera plus LED Steering Responsive Headlights with High Beam Assist. And with a number of available active safety systems, you can have even more peace of mind as you get out there.



Crosstrek Premium in Offshore Blue Metallic with optional and accessory equipment.



Blind-Spot Detection

Using radar sensors, Blind-Spot Detection warns you with a visual indicator on your exterior mirror if it senses a vehicle in your blind spot. Another feature of this system, Lane Change Assist, alerts you with a flashing indicator on your exterior mirror if it senses a vehicle approaching at a higher speed in a neighboring lane and you signal for a lane change.^{2,3}



Rear Cross-Traffic Alert

Rear Cross-Traffic Alert uses radar sensors to help warn you of traffic approaching from the side as you are backing up, utilizing a flashing visual indicator on your exterior mirror and Rear-Vision Camera display, as well as an audible warning.^{2,3}



Reverse Automatic Braking

Reverse Automatic Braking can detect objects directly behind your vehicle when backing up at a low speed and can help bring the Crosstrek to a stop if it detects an object within its range and the brakes have yet to be applied. There's also the Rear-Vision Camera to help you keep an eye out.^{2,4}



SUBARU STARLINK Safety and Security

The Crosstrek features the latest STARLINK Safety and Security^{2,5} system, which can alert a first responder in an emergency, help police locate your vehicle if it's stolen and more. To get you started, new Crosstrek drivers enjoy a free three-year STARLINK Safety Plus trial, which includes Advanced Automatic Collision Notification, Enhanced Roadside Assistance, SOS Emergency Assistance and more.

¹ Always wear seatbelts. Children should be properly restrained in the rear seat. ² Availability varies by trim level. See your retailer for details. ³ Blind-Spot Detection, Lane Change Assist and Rear Cross-Traffic Alert are systems designed to assist the driver by monitoring the rear and side areas of the vehicle during a lane change or reversing and are not a substitute for safe and attentive driving. ⁴ The Reverse Automatic Braking System is not a substitute for safe and attentive driving. System effectiveness depends on many factors, such as vehicle maintenance, weather and road conditions. Always exercise caution and use vehicle mirrors and the Rear-Vision Camera when backing up. See Owner's Manual for complete details on system operation and limitations. ⁵ Activation with subscription required. Includes a 3-year trial subscription to Safety Plus services and a 6-month trial subscription to Safety and Security Plus services. The Concierge plan can be purchased annually or monthly. A credit card on file will be required for specific packages and for renewal purposes. Not available in all states. See your retailer for details.

2024 Crosstrek | Trim Levels



Crosstrek

- 152-hp 2.0-liter 4-cylinder SUBARU BOXER engine with direct-injection
- Subaru Symmetrical All-Wheel Drive with Active Torque Vectoring
- Lineartronic CVT (Continuously Variable Transmission) with Adaptive Control, Incline Start Assist and low mode
- X-MODE featuring Hill Descent Control
- SI-DRIVE® Engine Performance Management System
- Auto Start-Stop System
- Auto-on/off LED Steering Responsive Headlights with High Beam Assist
- 17-inch alloy wheels. Dark gray finish.
- Roof cross bar mounting points
- Privacy glass
- Cloth upholstery
- Carbon-fiber-patterned interior accent trim
- 6-way manually adjustable driver seat and 4-way manually adjustable front-passenger seat
- SUBARU STARLINK Dual 7.0-inch Multimedia with Apple CarPlay® and Android Auto™ integration, SiriusXM®¹ including 4-month Platinum Plan and SiriusXM Travel Link®¹ trial, illuminated USB-A input port, Bluetooth® and 4 speakers
- Dual-zone automatic climate control system with dynamic ventilation and air filtration
- Driver and front-passenger auto-up/down power windows
- 4 cargo area tie-down hooks and 2 grocery bag hooks
- EyeSight Driver Assist Technology²: Pre-Collision Braking System, Pre-Collision Throttle Management, Lane Departure and Sway Warning with Lane Departure Prevention, Advanced Adaptive Cruise Control with Lane Centering
- 8 airbags (SRS)³: dual-stage deployment driver and front-passenger, driver's knee, front-passenger seat cushion, front and rear outboard occupant side curtain with rollover sensor and seat-mounted front side impact
- Whiplash-reducing front seats with height-adjustable head restraints
- Pretensioner and force limiter equipped height-adjustable 3-point front seatbelts and 3-point seatbelts for all rear seating positions
- Front/rear passenger seatbelt warning light/chime, rear-seat reminder and child-safety rear door locks
- LATCH system: Lower Anchors and Tethers for CHildren
- Rear-Vision Camera



Crosstrek Premium

Includes Crosstrek key features and adds:

- LED fog lights
- Raised roof rails
- 17-inch aluminum-alloy wheels. Dark gray with machine finish.
- Dark gray finish exterior mirrors with integrated turn signals
- Keyless Access with Push-Button Start
- Premium cloth upholstery
- Steering wheel with integrated manual-mode paddle shifters
- Rear-seat center armrest with integrated cup holders
- SUBARU STARLINK 11.6-inch Multimedia Plus with wireless Apple CarPlay® and Android Auto™ integration, SiriusXM®¹ including 4-month Platinum Plan and SiriusXM Travel Link®¹ trial, illuminated USB-A and USB-C input ports, Bluetooth® and 6 speakers
- 4G LTE Wi-Fi capability⁴
- Single USB-A and USB-C rear-seat charge ports with illumination
- White, illuminated gauge rings
- Cargo-area tray
- STARLINK Safety and Security enabled⁵: Includes features and services such as Advanced Automatic Collision Notification, SOS Emergency Assistance, Enhanced Roadside Assistance, Maintenance Notifications, Vehicle Health Reports, Diagnostic Alerts, Remote Engine Start with Climate Control, Remote Lock/Unlock, Concierge Services and more

Optional Package

- Option Package (OP 14): • Power moonroof • 10-way power driver seat • All-Weather Package: heated exterior mirrors, dual-mode heated front seats and windshield wiper de-icer • Blind-Spot Detection with Rear Cross-Traffic Alert⁶ • Automatic Emergency Steering²



Crosstrek Sport

Includes Crosstrek Premium key features and adds:

- 182-hp 2.5-liter 4-cylinder SUBARU BOXER engine with direct-injection
- Dual-Function X-MODE with Snow/Dirt and Deep Snow/Mud modes
- High-grade LED Steering Responsive Headlights with High Beam Assist
- 18-inch alloy wheels. Dark gray finish.
- Crystal Black Silica exterior mirrors with integrated turn signals
- Yellow exterior accents on front bumper, rear bumper and doors
- Crystal Black Silica grille accents, roof spoiler and rear gate trim panel
- Sport badging on front doors and rear gate
- Sport cloth upholstery with yellow accents and stitching
- Leather-wrapped steering wheel with yellow stitching
- Shifter handle with leather boot, yellow stitching and gloss black trim
- Yellow, illuminated gauge rings
- Aluminum-alloy pedal covers
- Qi® wireless smartphone charging pad⁷
- All-Weather Package: Heated exterior mirrors, dual-mode heated front seats, windshield wiper de-icer
- Retractable cargo-area cover

Optional Package

- Option Package (OP 22): • Power moonroof • 10-way power driver seat • Blind-Spot Detection with Rear Cross-Traffic Alert⁶ • Automatic Emergency Steering²



Crosstrek Limited

Includes Crosstrek Premium key features and adds:

- 182-hp 2.5-liter 4-cylinder SUBARU BOXER engine with direct-injection
- Dual-Mode X-MODE with Snow/Dirt and Deep Snow/Mud modes
- High-grade LED Steering Responsive Headlights with High Beam Assist
- 18-inch alloy wheels. Dark gray with machine finish.
- Dark gray exterior accents on front bumper, rear bumper and doors
- 10-way power-adjustable driver seat
- Leather-trimmed upholstery with orange stitching
- Leather-wrapped steering wheel with orange stitching
- Shifter handle with leather boot, orange stitching and gloss black trim
- Qi® wireless smartphone charging pad⁷
- All-Weather Package: Heated exterior mirrors, dual-mode heated front seats, windshield wiper de-icer
- Retractable cargo-area cover
- EyeSight Driver Assist Technology with Automatic Emergency Steering²
- Blind-Spot Detection with Lane Change Assist and Rear Cross-Traffic Alert⁶
- Reverse Automatic Braking⁸

Optional Packages

- Option Package (OP 32): • Power moonroof • Harman Kardon® premium audio system with 10 speakers

- Option Package (OP 33): • Power moonroof • Harman Kardon® premium audio system with 10 speakers • SUBARU STARLINK 11.6-inch Multimedia Navigation System



Information current at time of printing.

Visit www.subaru.com for the most up-to-date product information.



Subaru, Lowest Ownership Costs, according to IntelliChoice.⁹



The Subaru Crosstrek has the Best Resale Value in its class for three years running, according to Kelley Blue Book's KBB.com.¹⁰



Subaru is rated #1 in product quality for two years in a row.¹¹



The Subaru Crosstrek is an eight-time Excellent Value winner.⁹



The Subaru Crosstrek is #1 in its class, according to MotorTrend.¹²

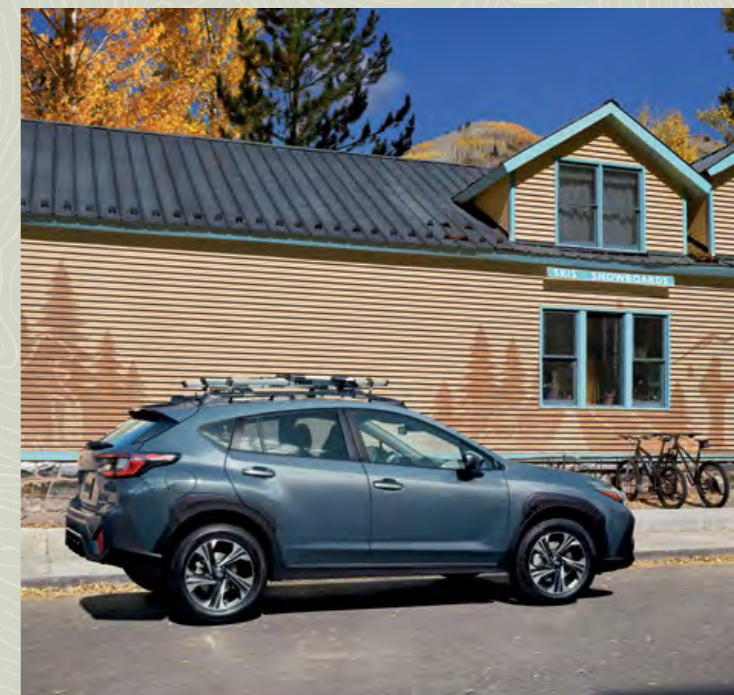
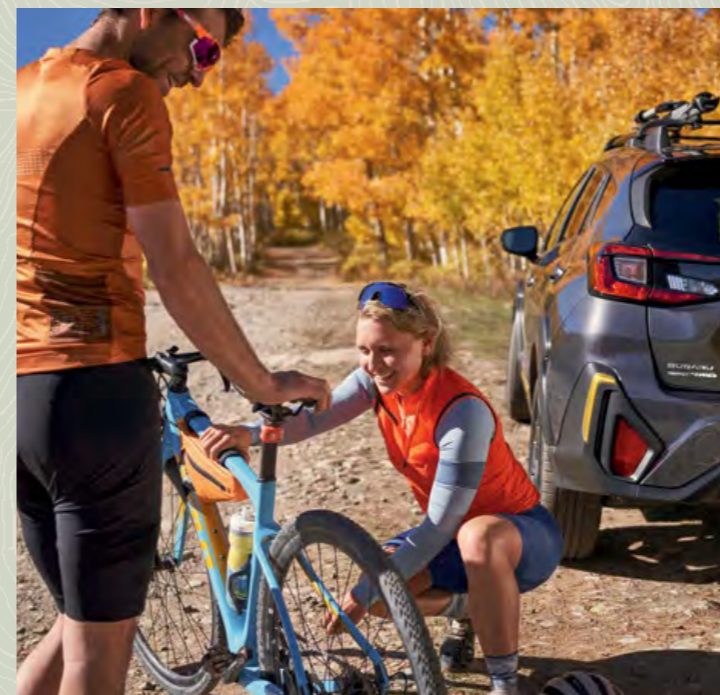
2024 Crosstrek | Specifications

Engine and Drivetrain		Crosstrek Crosstrek Premium	Crosstrek Sport Crosstrek Limited
Engine Power Torque	2.0-liter DOHC direct-injection aluminum-alloy 16-valve horizontally opposed 4-cylinder SUBARU BOXER engine with Dual Active Valve Control System (DAVCS). 152 hp @ 6,000 rpm 145 lb-ft @ 4,000 rpm	●	—
	2.5-liter DOHC direct-injection aluminum-alloy 16-valve 4-cylinder horizontally opposed SUBARU BOXER engine with Dual Active Valve Control System (DAVCS). 182 hp @ 5,800 rpm 178 lb-ft @ 3,700 rpm	—	●
Traction and Stability			
X-MODE	X-MODE optimizes engine output and transmission ratio, increases all-wheel drive system engagement and uses enhanced control of the Vehicle Dynamics Control system to reduce or increase individual wheelspin, providing optimal traction on various types of terrain and low-friction surfaces. Crosstrek and Crosstrek Premium: Standard. Single mode system. Crosstrek Sport and Crosstrek Limited: Standard. Dual mode system with Snow/Dirt and Deep Snow/Mud modes.	●	●
Hill Descent Control (HDC)	X-MODE also incorporates Hill Descent Control (HDC), which helps to maintain a constant vehicle speed when traveling downhill, enhancing vehicle control.	●	●
Active Torque Vectoring	Active Torque Vectoring works in tandem with the Vehicle Dynamics Control system by applying braking power to the inside front wheel, resulting in sharper turn-in, more neutral steering and higher cornering limits when turning.	●	●
Auto Vehicle Hold (AVH)	AVH helps to reduce driver fatigue by holding the vehicle in place when the vehicle is stopped, after the brake pedal has been released. Utilizing the Vehicle Dynamics Control system and the Electronic Parking Brake, AVH can hold the vehicle stationary on level, decline or incline surfaces.	●	●

● Standard — Not equipped

2024 Crosstrek | Specifications

Fuel		Crosstrek Crosstrek Premium	Crosstrek Sport Crosstrek Limited
Fuel Economy	city/highway/combined ¹⁹	27/34/29 mpg	26/33/29 mpg
Fuel Requirement	Unleaded gasoline (87 octane)	●	●
Fuel Capacity	16.6 gallons	●	●
Chassis			
Steering	Electric power-assisted quick ratio rack-and-pinion steering (EPAS). Turning circle: 35.4 feet.	●	●
Suspension	Front: Strut-type with lower L-arm. Stabilizer bar. Rear: Double wishbone. Stabilizer bar.	●	●
Brakes	4-wheel ventilated disc ABS with Electronic Brake-force Distribution (EBD)	●	●
Brake Override System	If both brake and accelerator pedals are pressed simultaneously, the system reduces the operation of the accelerator pedal to help prevent unintentional vehicle acceleration.	●	●



2024 Crosstrek | Equipment

Exterior	Crosstrek	Crosstrek Premium	Crosstrek Sport	Crosstrek Limited
LED fog lights	☐	●	●	●
Exterior mirrors with integrated turn signals	—	●	●	●
Heated exterior mirrors and windshield wiper de-icer (All-Weather Package)	—	○ ¹⁴	●	●
Raised roof rails in black finish	—	●	●	●
Power tilt/sliding-glass moonroof (95% UV light-reducing) ^{14,15}	—	○	○	○

Seating and Trim	Crosstrek	Crosstrek Premium	Crosstrek Sport	Crosstrek Limited
6-way manually adjustable driver seat	●	●	●	—
10-way power-adjustable driver seat	—	○ ¹⁴	○ ¹⁴	●
4-way manually adjustable front-passenger seat	●	●	●	●
Heated front seats (All-Weather Package)	—	○ ¹⁴	●	●

Convenience Features	Crosstrek	Crosstrek Premium	Crosstrek Sport	Crosstrek Limited
Keyless Access with Push-Button Start	—	●	●	●
Single, illuminated USB-A and USB-C rear-seat charge ports	—	●	●	●
Rear-seat armrest with dual cup holders	—	●	●	●
Automatic transmission manual-mode paddle shifters	—	●	●	●

● Standard ○ Optional — Not equipped ☐ Available retailer-installed accessory



2024 Crosstrek | Equipment

Convenience Features (continued)	Crosstrek	Crosstrek Premium	Crosstrek Sport	Crosstrek Limited
Removable cargo-area tray	☐	●	●	●
Retractable cover	☐	☐	●	●

Audio and Communication Systems	Crosstrek	Crosstrek Premium	Crosstrek Sport	Crosstrek Limited
SUBARU STARLINK Dual 7.0-inch Multimedia with Apple CarPlay® and Android Auto™ integration, SiriusXM® ¹ including 4-month Platinum Plan and SiriusXM Travel Link® ¹ trial, illuminated USB-A input port, Bluetooth® and 4 speakers	●	—	—	—
SUBARU STARLINK 11.6-inch Multimedia Plus with wireless Apple CarPlay® and Android Auto™ integration, SiriusXM® ¹ including 4-month Platinum Plan and SiriusXM Travel Link® ¹ trial, illuminated USB-A and USB-C input ports, and Bluetooth®	—	●	●	●
SUBARU STARLINK 11.6-inch Multimedia Navigation System with 3 years of free map updates, wireless Apple CarPlay® and Android Auto™ integration, SiriusXM® ¹ including 4-month Platinum Plan, 3-year SiriusXM Traffic® ¹⁶ trial and SiriusXM Travel Link® ¹⁶ trial, illuminated USB-A and USB-C input ports, and Bluetooth®	—	—	—	○ ¹⁴
6 speakers	—	●	●	●
Harman Kardon® premium audio system with 432-watt-equivalent amplifier and 10 speakers	—	—	—	○ ¹⁴

Safety	Crosstrek	Crosstrek Premium	Crosstrek Sport	Crosstrek Limited
ACTIVE				
Automatic Emergency Steering ²	—	○ ¹⁴	○ ¹⁴	●
Blind-Spot Detection with Lane Change Assist and Rear Cross-Traffic Alert ⁶	—	○ ¹⁴	○ ¹⁴	●
Reverse Automatic Braking (RAB) ⁸	—	—	—	●

Crosstrek | Accessories



Door Edge Guards. Help protect your door edges from dings and chips with custom-fit, body color-matched, stainless steel Door Edge Guards. They help preserve the appearance of your Subaru while seamlessly blending into the door design.



Body Side Molding. Attractive, color-matched moldings coordinate with the styling of the vehicle while helping to protect doors from unsightly dings.



Door Scuff Protector. A durable, easy to clean plastic shell that protects your doors from common shoe scuffs and other scrapes when entering and exiting your vehicle. The design complements the styling of your Crosstrek.

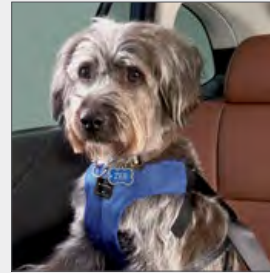


Side Sill Plates - Illuminated. Illuminated side sill plates feature the Crosstrek logo in bright white lighting to add an attractive accent to the doorframe. Lighting is activated when the door is opened and turns off when the door is closed. Engineered to stand up to everyday wear and tear to help keep your doorframe safe from scratches and scuffs.

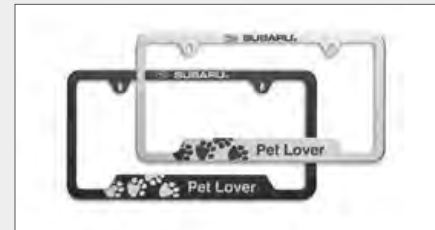


Subaru Loves Pets®

Introducing Genuine Subaru Pet-friendly Accessories.



Pet Harness. Keep your dog safe with this crash-tested Pet Harness, certified by the Center for Pet Safety for dogs from 18 to 90 pounds. Manufactured by Sleepypod® in signature Subaru blue, the Pet Harness can also be used for walking your dog. Available in S, M, L or XL.



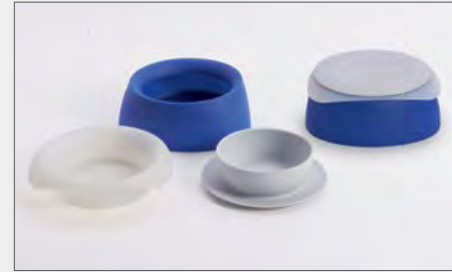
License Plate Frame – Pet Lover. Share your love for your furry, scaly or feathered friends with our Pet Lover license plate frame. Available in either matte black or polished stainless steel.



Console Lid Protector. Protects the center console lid surface from nail scratches and puncture holes, while providing a comfortable armrest for front-seat passengers.



Pet Ramp. Manufactured by 4pets®, this sturdy, foldable Pet Ramp supports up to 220 lbs. and is especially well-suited for senior dogs and those with mobility issues, thanks to its non-slip design and high-grip ridged surface.



Pet Travel Bowl. This portable container makes it easy to bring your pet's food and water on the go. Manufactured by Sleepypod®, the Pet Travel Bowl includes a base compartment for ice to help keep your pet's water cool and wet food fresh.



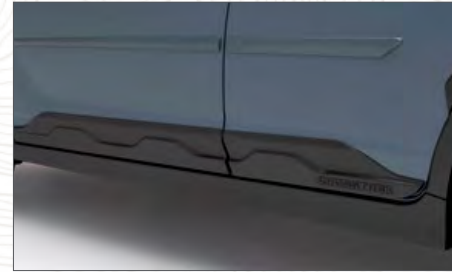
Pet Carrier and Mobile Pet Bed. This multi-functional ultra-plush pet bed also doubles as a carrier to safely transport your pet in comfort. Manufactured by Sleepypod®, this accessory is crash-tested and certified by the Center for Pet Safety.



Collapsible Pet Kennel. Portable, compact and lightweight, the Collapsible Pet Kennel, manufactured by Thule®, is ideal for travel and for everyday transport. Includes a carrying handle for easy transport and two pockets to carry your pet's personal cargo.



Pet Rear Door Protector. If you're bringing along your furry companion, this lightweight, durable Pet Rear Door Protector helps keep your door panel free from scratches, scuffs and, yes, even drool. Designed to seamlessly fit the contours of your door. Comes in a set of two.



Lower Door Cladding. Designed to enhance the rugged exterior appearance of the Crosstrek, Lower Door Cladding is an upward extension of the lower door trim.



Rear Bumper Cover. Helps protect the upper surface of the painted bumper from scratches and scuffs.



Cargo Tray. Helps protect the trunk area from stains and dirt while providing a surface that helps reduce the shifting of cargo while driving.



Wireless Charger. Conveniently charge your phone without the hassle of tangled wires. The Wireless Charger is a Qi® Certified Device with intelligent charging profiles, cell phone battery protection, temperature control technology and short circuit safeguards. Compatible with all Qi-enabled devices.



Rear Seatback Protector. Provides additional protection to the rear seatbacks when lowering the seats to transport larger cargo. Use in conjunction with the Cargo Tray for optimal protection.



Cargo Net. Neatly holds cargo and prevents it from sliding while the vehicle is in motion.



Side Window Deflectors. Keep inclement weather out while allowing fresh air in. Specifically designed to complement the appearance and shape of the vehicle door, Side Window Deflectors are extensively tested to help reduce wind noise and vibration, as well as evaluated for water intrusion.



Auto-Dimming Exterior Mirrors with Approach Light. When you approach the vehicle or unlock the doors with the keyless entry system, LED lights in each exterior mirror illuminate the ground next to and toward the rear of the vehicle. During nighttime driving, the Auto-Dimming Exterior Mirrors dim in unison with the Auto-Dimming (Interior) Mirror when glare is detected.

Requires Auto-Dimming (Interior) Mirror.



Let nothing hold you back.

When your passion is even bigger than your cargo area, Genuine Subaru active lifestyle accessory attachments manufactured by Thule® are a smart way to securely transport larger gear like bikes, skis, snowboards, kayaks, paddleboards and more. Each carrier safely attaches to your roof rack, and the available Thule® Portable Step can help you easily access everything.



Thule® Cargo Carrier



Thule® Bike Carrier – Roof-Mounted



Thule® Heavy-Duty Roof Cargo Basket

2024 Crosstrek | Owner Benefits

For additional Subaru resources, including owner's manuals, maintenance schedules, roadside assistance and more, log on to www.mysubaru.com

Protecting Your Investment

Once you're part of our family, we'll be there for you. Every Subaru comes with 24-hour roadside assistance for 3 years or 36,000 miles. And to protect you over the long haul, we offer Added Security[®], which helps protect your car for up to 10 years or 100,000 miles with extended service agreements and maintenance plans backed by Subaru. And because we've been backing them for more than 30 years, they're agreements you can trust. Your retailer has full coverage details.



More Than a Car Company[®].



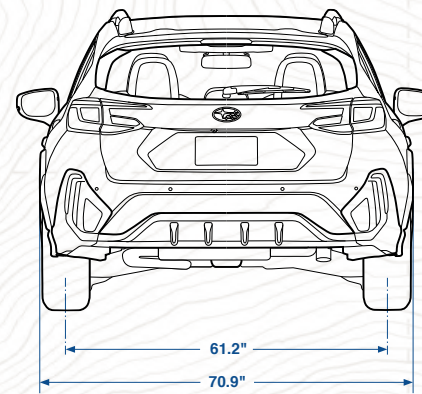
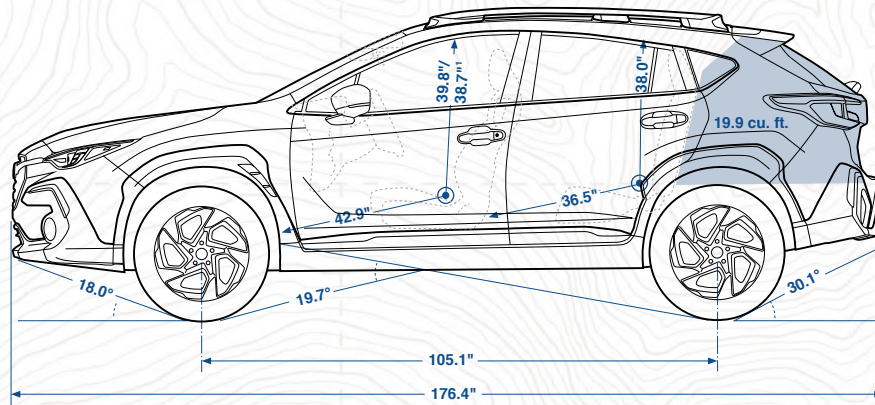
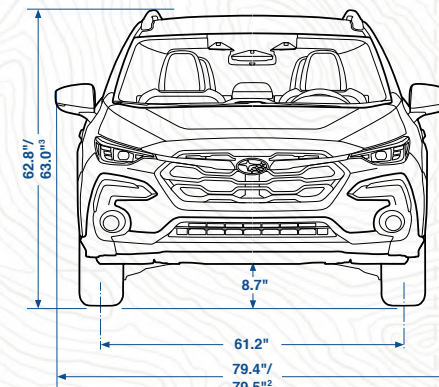
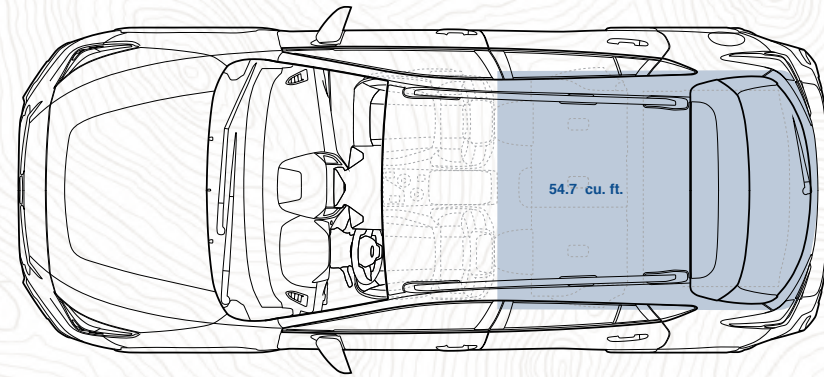
For us, love is about the commitments we make. The Subaru Love Promise[®] is our vision to show love and respect to all people and the planet we all share. Subaru is headquartered in a zero-landfill office in Camden, N.J., and in 2004, Subaru of Indiana Automotive, Inc. (SIA) became the first manufacturing facility in the U.S. to reach zero-landfill status—nothing from its manufacturing efforts ever goes into a landfill.



Warranties

New Car Limited Warranty	3 years or 36,000 miles, whichever comes first.
Powertrain Limited Warranty	5 years or 60,000 miles, whichever comes first.
Wear Item Limited Warranty	3 years or 36,000 miles, whichever comes first. Repairs to the following items will also be covered under Wear Item Limited Warranty: <ul style="list-style-type: none"> • Brake Pads • Wiper Blades • Clutch Linings • Transmitter Batteries
Rust Perforation Limited Warranty	5 years, unlimited mileage.
24-hour Roadside Assistance	3 years or 36,000 miles, whichever comes first.

2024 Crosstrek | Dimensions



Length	176.4 inches	Ground clearance	8.7 inches (at base curb weight)
Width	70.9 inches (79.4 inches /79.5", including mirrors)	Approach angle	18.0°
Height	62.8 inches (63.0 inches with roof rails)	Departure angle	30.1°
Wheelbase	105.1 inches	Breakover angle	19.7°
Track (front/rear)	61.2 inches/61.2 inches	Headroom (front/rear)	39.8 inches/38.0 inches (with moonroof: 38.7 inches/38.0 inches)
Base curb weight	Crosstrek: 3,277 lbs. Crosstrek Premium: 3,296 lbs. Crosstrek Sport: 3,333 lbs. Crosstrek Limited: 3,349 lbs.	Legroom (front/rear)	42.9 inches/36.5 inches
		Shoulder room (front/rear)	56.8 inches/55.3 inches
		Hip room (front/rear)	55.1 inches/53.2 inches
		Passenger volume	100.5 cubic feet (with moonroof: 99.0 cubic feet)
		Cargo volume	19.9 cubic feet
		Maximum cargo volume	54.7 cubic feet (with rear seatbacks lowered)

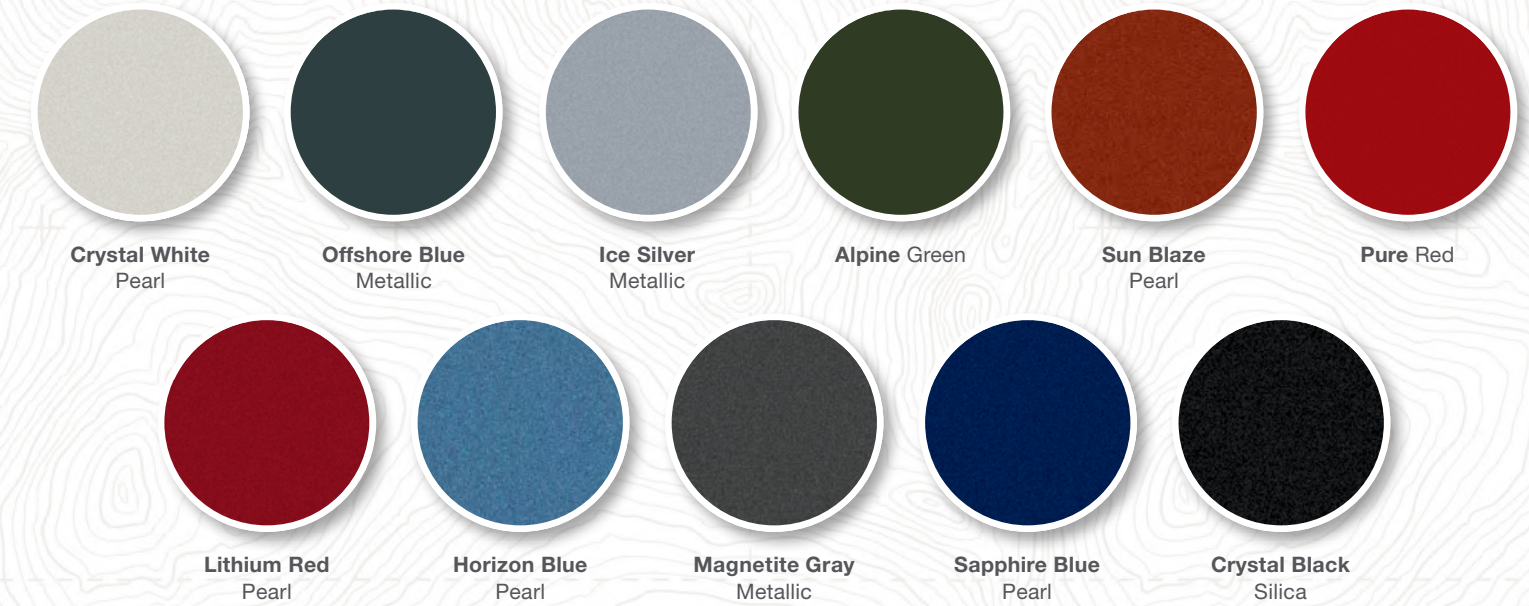
1 With available moonroof. Moonroof availability varies by trim level. 2 With integrated turn signals. 3 Sport trim only.

Some images shown are for illustration purposes only. Specifications and imagery in this brochure are based on the latest product information available at the time of publication. Production models may vary. For the most up-to-date and detailed product information, log on to www.subaru.com. Some equipment shown in photography in this brochure is optional at extra cost. Specific options may be available only in combination with other options. Specific combinations of equipment or features may vary from time to time and by geographic area. Certain accessories and equipment may not be available at the time of publication. Subaru of America, Inc., reserves the right to change or discontinue at any time, without notice, prices, colors, materials, equipment, accessories, specifications, models and packages without incurring any obligation to make the same or similar changes on vehicles previously sold. Colors shown may vary due to reproduction and printing processes.

This brochure was prepared by Subaru of America, Inc. A warranty from Subaru of America, Inc., is available only on cars sold to the first retail purchaser through an authorized Subaru retailer in the continental U.S. or Alaska. Every owner of the car during the warranty period shall be entitled to the benefit of these warranties. Subaru, SUBARU BOXER, SUBARU STARLINK, STARLINK, EyeSight, Lineartronic and X-MODE are registered trademarks of Subaru Corporation. Added Security, Crosstrek, Love is out there., Love. It's what makes Subaru, Subaru., Love Promise, More Than a Car Company, and Subaru Loves Pets are registered trademarks of Subaru of America, Inc. 4pets[®] is a registered trademark of Brüggli. Android Auto[™] is a trademark of Google LLC. Apple CarPlay[™] is a registered trademark of Apple Inc. Bluetooth[™] is a registered trademark of Bluetooth SIG, Inc. Harman Kardon[®] is a registered trademark of Harman International Industries, Inc. Qi[®] is a registered trademark of Wireless Power Consortium, Inc. SiriusXM all related logos are trademarks of Sirius XM Radio Inc. and its respective subsidiaries. Other marks, channel names and logos are the property of their respective owners. All rights reserved. SiriusXM[®], Traffic[®] and Travel Link[®] are registered trademarks of SiriusXM Radio Inc. Sleepypod[®] is a registered trademark of LaunchLab. Thule[®] is a registered trademark of the Thule Group. For more information, contact your Subaru retailer, or log on to www.subaru.com.

2024 Crosstrek | Colors

Paint



Upholstery



Color Combinations

	Crosstrek	Crosstrek Premium	Crosstrek Sport	Crosstrek Limited
Crystal White Pearl	GC	PBC or PGC	SC	BL or GL
Offshore Blue Metallic	GC	PBC or PGC	-	-
Ice Silver Metallic	GC	PBC	SC	BL
Alpine Green	-	-	SC	BL or GL
Sun Blaze Pearl	GC	PBC	-	BL
Pure Red	GC	PBC	-	-
Lithium Red Pearl	-	-	-	BL
Horizon Blue Pearl	GC	PBC	-	-
Magnetite Gray Metallic	GC	PBC or PGC	SC	BL or GL
Sapphire Blue Pearl	GC	PBC	SC	BL
Crystal Black Silica	GC	PBC	SC	BL

- Not available

See the Crosstrek in Action

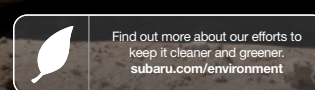
 youtube.com/subaru



These brochures were printed with vegetable-based inks and produced using a "Green Printing Process." The Forest Stewardship Council® (FSC®) is an international organization that brings people together to find solutions which promote responsible stewardship of the world's forests and environments.

By producing these brochures in a green way rather than by traditional methods, we saved 84 trees preserved for the future; 18,000 gallons of wastewater flow saved; 400 lbs solid waste not generated; 47,000 lbs net greenhouse gases prevented; 39,000,000 BTUs energy not consumed. Calculations provided by Environmental Paper Network. FSC® is not responsible for any calculations on saving resources by choosing this paper.

This brochure is printed in the USA on 10% recycled paper. ©2023 Subaru of America, Inc. 24.CTKSRB.625 (DSGN-P563, 160K, 3/23, KSL)



Love. It's what makes Subaru, Subaru.®

